

Effects of Carbon Black and the Presence of Static Mechanical Strain on the Swelling of Elastomers in Solvent

Shiau Ying Ch'ng^{1,2}, Andri Andriyana^{1,*}, Yun Lu Tee¹ and Erwan Verron³

¹ Department of Mechanical Engineering, Faculty of Engineering, University of Malaya, Kuala Lumpur 50603, Malaysia; E-Mail: yunlu90@siswa.um.edu.my

² Taylor's University, Taylor's Lakeside Campus, No.1, Jalan Taylor's, Subang Jaya 47500, Selangor Darul Ehsan, Malaysia; E-Mail: shiauying.chng@taylors.edu.my

³ LUNAM Université, École Centrale de Nantes, GeM, UMR CNRS 6183, BP 92101, Nantes 44321, France; E-Mail: erwan.verron@ec-nantes.fr

* Author to whom correspondence should be addressed; E-Mail: andri.andriyana@um.edu.my; Tel.: +603-7967-5254; Fax: +603-7967-5317.

Abstract: The effect of carbon black on the mechanical properties of elastomers is of great interest, because the filler is one of principal ingredients for the manufacturing of rubber products. While fillers can be used to enhance the properties of elastomers, including stress-free swelling resistance in solvent, it is widely known that the introduction of fillers yields significant inelastic responses of elastomers under cyclic mechanical loading, such as stress-softening, hysteresis and permanent set. When a filled elastomer is under mechanical deformation, the filler acts as a strain amplifier in the rubber matrix. Since the matrix local strain has a profound effect on the material's ability to absorb solvent, the study of the effect of carbon black content on the swelling characteristics of elastomeric components exposed to solvent in the presence of mechanical deformation is a prerequisite for durability analysis. The aim of this study is to investigate the effect of carbon black content on the swelling of elastomers in solvent in the presence of static mechanical strains: simple extension and simple torsion. Three different types of elastomers are considered: unfilled, filled with 33 phr (parts per hundred) and 66 phr of carbon black. The peculiar role of carbon black on the swelling characteristics of elastomers in solvent in the presence of mechanical strain is explored.

Keywords: elastomers; swelling; carbon black; mechanical loading; large deformation

1. Introduction

Rubber products are common in our daily life and, in fact, are one of the essential materials used in many industrial applications. However, the original rubber in latex form is not practical unless it is processed with vulcanization and compounded with additives [1]. The major additives used in rubber compounds include fillers, antioxidants, antiozonants, curing agents and processing aids. It is well known that the cost of rubber products can be lowered and the mechanical properties, such as stiffness, modulus, tear resistance, tensile strength and fatigue resistance, can be significantly improved by adding filler [2,3]. While unfilled rubbers exhibit nearly ideal nonlinear elastic behavior, the incorporation of filler alters the stress-softening behavior, known as the Mullins effect, and the time-dependent behavior characterized by hysteresis and stress relaxation [4].

During their applications, rubber products are frequently subjected to various hostile environments, e.g., aggressive solvents, in addition to fluctuating mechanical loading. Such conditions may affect the service life of elastomers by two major factors: by fatigue due to fluctuating mechanical loading and by swelling due to the diffusion of solvents [5]. While numerous results corresponding to free swelling are available in the literature, the extension to the case where elastomers are simultaneously subjected to mechanical loading is less common [6], not to mention the case involving different amounts of carbon black content.

When elastomers are exposed to aggressive liquids, material degradation in the form of swelling occurs [7,8]. With swelling, the liquids occupy positions among the polymer molecules resulting to the increase in chain separation and, thus, decreasing the intermolecular forces. Consequently, the material becomes softer. While the precise effect of the presence of mechanical loading is unknown, it appears that mechanical loading significantly influences the swelling characteristics of elastomers in solvent [6,9,10].

The main interest of this work is to investigate the effect of carbon black content and mechanical loading on the swelling characteristics of elastomers in solvent. For this purpose, special devices are developed, such that the immersion tests can be conducted on rubber specimens simultaneously undergoing static uniaxial or multiaxial mechanical loadings. The information of the materials and the description of the experimental procedures are provided in Section 2. The results are presented and discussed in Section 3, while concluding remarks are given in Section 4.

2. Experimental Section

2.1. Materials and Specimens

Two different specimen shapes are used for investigating the effect of carbon black content and mechanical loading on the swelling of elastomers. The as-received elastomeric specimens were provided by Malaysia Rubber Board. The specimens are vulcanized by performing compression molding at 165 °C for 5 min under a pressure of approximately 6.89 MPa in an electrically-heated press. Due to confidentiality issues, the detailed compositions are not provided in this paper. Instead, the elastomeric specimens are classified by the amount of carbon black in the compositions.

To probe the effect of carbon black content, dumbbell elastomeric specimens following ASTM standard D412-C are used. The materials include unfilled nitrile butadiene rubber (NBR) and filled NBR with 33 phr and 66 phr of carbon black, respectively. In order to investigate the effect of the presence of static mechanical deformation, specially designed cylindrical hollow elastomeric specimens with 33 phr of carbon black are used. The detailed dimensions of the cylindrical hollow elastomeric specimen are given in Figure 1. Note that the latter is an improved version of the one proposed in our previous work [5]. The solvent used for immersion tests is 100% palm biodiesel and is referred to as B100 in the following. The tests are conducted under room temperature for different immersion durations. The detailed chemical composition of the B100 used in the present study is provided in our previous work [6] and will not be recalled here.

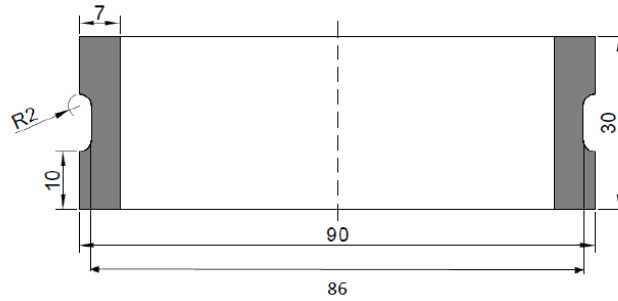


Figure 1. Detailed dimensions of the cylindrical hollow specimen for multiaxial mechanical loading.

2.2. Experimental Devices and Procedures

Two different devices are developed to enable the application of static uniaxial and multiaxial strains on the specimens during the immersion tests. They are illustrated in Figures 2 and 3, where dumbbell and cylindrical hollow elastomeric specimens are used, respectively. The description of the device and experimental procedure for the uniaxial device can be summarized as follows:

1. The device consists of four identical metallic plates (handles) and two long bolts. Each plate has four holes. The device can accommodate three dumbbell specimens.
2. Two plates are attached to the upper and to the lower parts of the specimens. Bolts are inserted into the three holes located on the plates. The plates are then tightened using nuts. While doing this procedure, the long bolts are fit into each side of the plates.
3. Tensile strain can be applied by adjusting the nuts located at the long bolts between metallic plates until the desired strain level is achieved.
4. The whole device containing stretched specimens is left untouched under room temperature for 24 h prior to the immersion in B100 to allow for stress relaxation in the elastomeric specimen in order to eliminate the viscoelastic behavior.

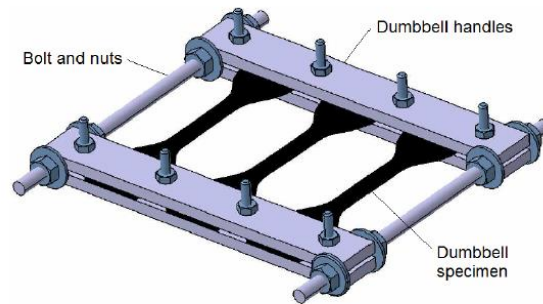


Figure 2. Specially-designed device for the immersion test of rubber specimens in the presence of uniaxial mechanical loading.

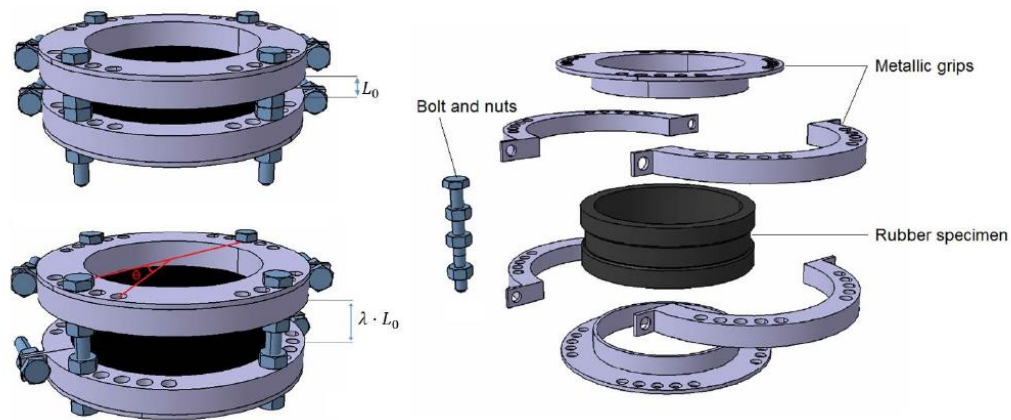


Figure 3. Specially-designed device for the immersion test of rubber specimens in the presence of multiaxial mechanical loading.

In the case of multiaxial loading as depicted in Figure 3, the description of the device and experimental procedure can be summarized as follows:

1. The device consists of two identical circular metallic plates and four identical semi-circular metallic grips. Each plate and grip has sixteen and eight holes, respectively, located at an angle of 10° apart from each other. Moreover, each side of the grip contains one additional hole. The device can accommodate one cylindrical hollow specimen.
2. The plates and grips are attached to the specimen. Bolts and nuts are used on each side of the grips in order to tighten the device.
3. The specimen in the device is twisted. The twist angle is held constant by inserting bolts into holes located on the grips and plates. Tensile strain can be applied by adjusting the nuts. Thus, the specimen is subjected to simultaneous tensile and torsion loadings.
4. The whole device containing the twisted/stretched specimen is left untouched under room temperature for 24 h prior to the immersion in B100 to allow for stress relaxation in the elastomeric specimen in order to eliminate the viscoelastic behavior.

After a certain immersion duration, the elastomeric specimens are dismantled from the device, and their volume is measured in order to determine the degree of swelling undergone by the materials. It is noted that different sets of devices/specimens are used for different immersion durations. For each immersion duration and each level of imposed strain, at least three specimens are used, and the presented swelling data correspond to the average value. The percentage of volume change is calculated using the following simple relation [11]:

$$\% \text{ Volume Change} = \frac{(M_2 - M_4) - (M_1 - M_3)}{(M_1 - M_3)} \times 100 \quad (1)$$

where M_1 and M_2 are the masses in air (grams) before and after immersion, while M_3 and M_4 are the masses in water (grams) before and after immersion.

Remark 1. *It is noted that the calculation of the volume change based on Equation (1) is taken from the whole specimen, including the clamping area. The calculation is corrected based on the exposed volume by assuming that there is no swelling occurring in the clamping area during the immersion and after the removal from the experimental device.*

3. Results and Discussion

3.1. Stress-Free Swelling

In order to ensure a stress-free state in the dumbbell rubber specimens during immersion testing, the distance between the metallic handles is adjusted from time to time, so that the specimens are free to swell without buckling. Figure 4 shows the resulting volume change from dry until equilibrium swelling and the resulting rates of swelling. From the figure, it is observed that the unfilled elastomer has the highest volume change percentage, followed by 33 phr and 66 phr of carbon black content, respectively. The presence of carbon black appears to restrict the diffusion of solvent into the elastomers, since the elastomeric network becomes stiffer with the addition of filler [3]. Thus, it provides more resistance and a barrier to solvent penetration [12]. Physically, the filled elastomer with 66 phr of carbon black is the stiffest. For the unfilled specimen, the diffusion of solvent molecules into the elastomeric matrix is favorable, as there is no filler preventing the diffusion of solvent into the free volume between the molecules [13]. Regarding the rate of swelling, it is relatively high in the beginning of the immersion, as there is a high concentration gradient between the dry elastomer and biodiesel. Subsequently, the rate of swelling decreases with the increase in immersion duration and approaches zero as the material reaches equilibrium swelling. As indicated in Figure 4, the introduction of filler appears to restrict the rate of swelling [14].

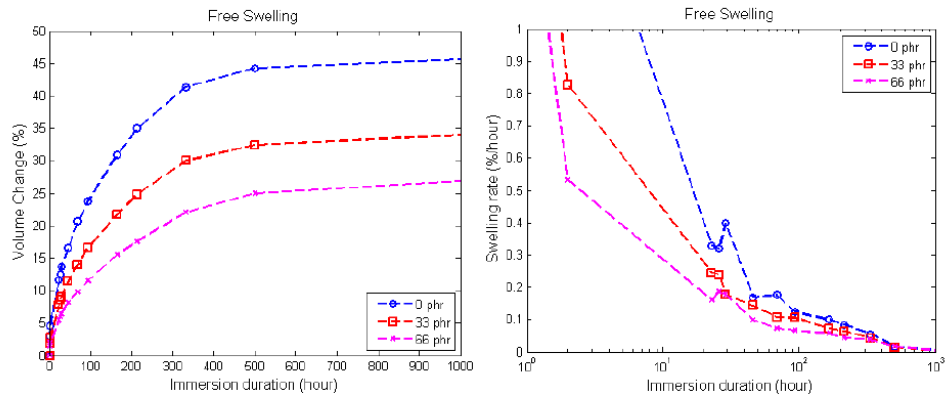


Figure 4. Volume change undergone by the specimens with different carbon black contents (a) and the corresponding rates of swelling (b).

In the case where the filler is considered as rigid particle and does not participate in the swelling process, swelling only occurs in the rubber matrix, and the measured volume changes need to be corrected based on the matrix:filler ratio. The result is presented in Figure 5. The result is unaffected for unfilled rubber, since the specimen is composed of 100% rubber matrix, but higher swelling is obtained for filled rubber. Overall, a similar trend is observed where a higher amount of carbon black leads to lower swelling. However, note that the difference in volume changes between each carbon black content is significantly smaller for the corrected results.

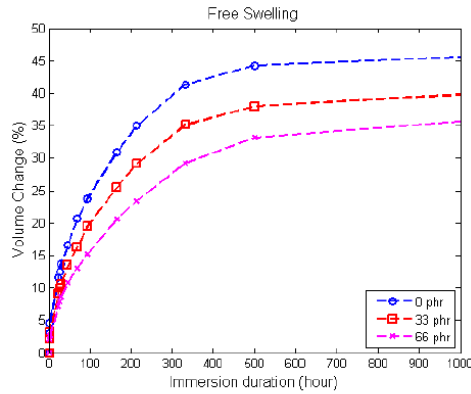


Figure 5. Corrected volume change undergone by the specimens with different carbon black contents.

3.2. Constrained Swelling 1: Swelling in the Presence of Static Uniaxial Strain

In this section, the effect of the presence of static uniaxial mechanical strain on swelling is addressed. For this purpose, the distance between the metallic handles are fixed at three different constant stretches: $\lambda = 1.00, 1.25$ and 1.50 , respectively. The stretch is defined as the ratio between the current length to the original length of the specimen between the two metallic handles. Note that the corresponding

engineering strain is simply given by $\varepsilon = \lambda - 1$. The resulting measured volume change percentage and corrected volume change percentage based on the matrix:filler ratio are given in Figure 6.

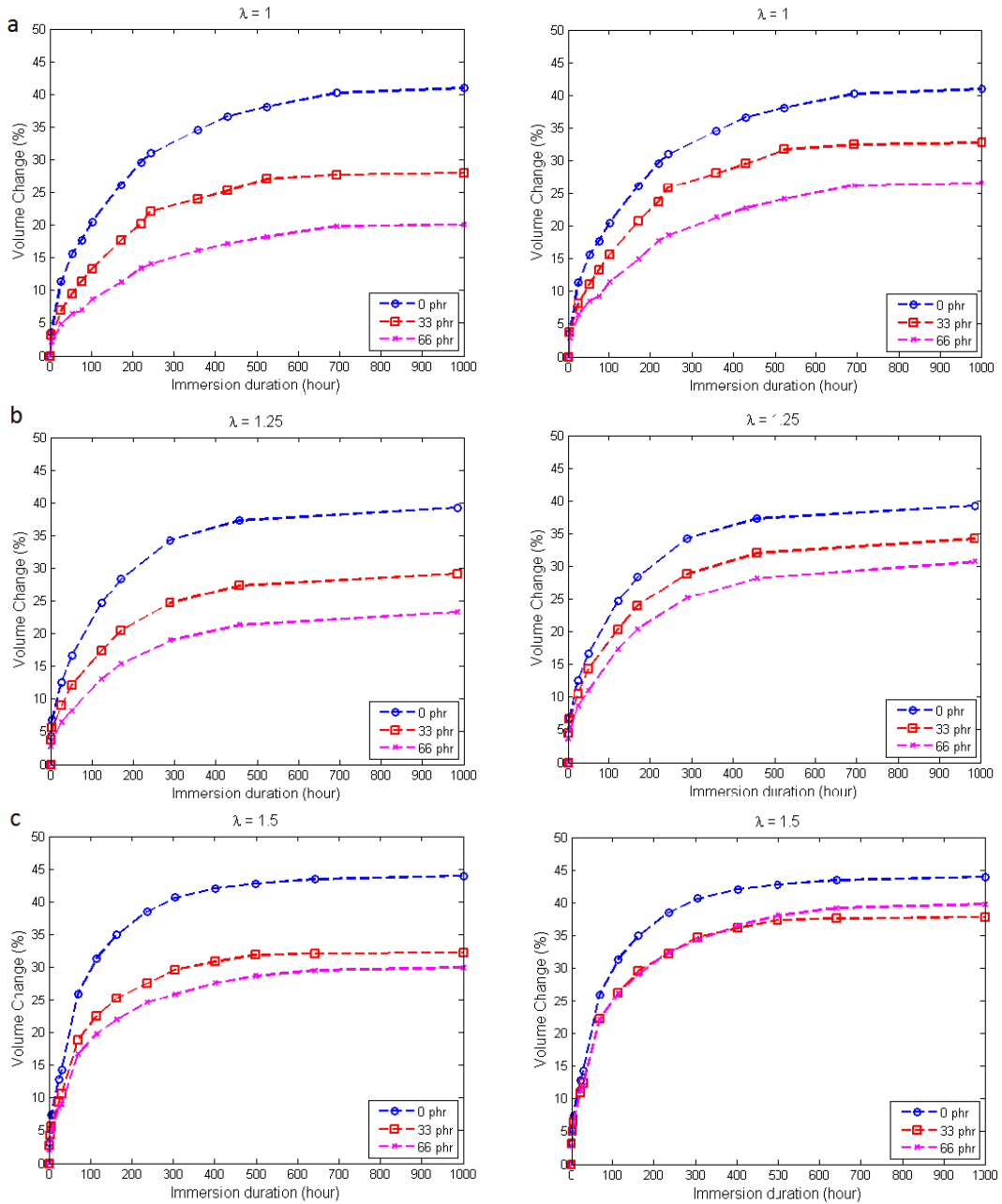


Figure 6. Measured volume change (left) and corrected volume change (right) of specimens for different carbon black contents at (a) $\lambda = 1$; (b) $\lambda = 1.25$ and (c) $\lambda = 1.5$.

Generally, for all imposed strain levels, the swelling trend is similar to the one for free swelling, where the unfilled rubber specimens exhibit the highest swelling level, followed by rubber specimens with 33 phr and with 66 phr of carbon black. Moreover, the introduction of static uniaxial strain appears to alter the swelling characteristics of elastomers [15]. For a given immersion duration, uniaxial tensile strain acts as the accelerator for the penetration of solvent molecules, *i.e.*, increasing the rate of swelling and, thus, increasing swelling.

The increasing swelling level with strain can be explained by the hydrostatic part of Cauchy stress in the elastomer. According to [8], negative hydrostatic stress facilitates swelling, and the application of tensile strain generates more negative hydrostatic stress. Thus, the resulting swelling increases as more tensile strain is applied to the specimen.

For filled elastomers, closer investigation in Figure 6 reveals that the swelling curve of 33 phr carbon black and the one of 66 phr carbon black become closer as a higher strain is applied. This observation could be related to two opposite roles of the filler on the ability of elastomers to absorb solvent. On the one hand, as discussed in the previous section, increasing carbon black content yields a stiffer elastomeric network, which acts as a barrier to solvent penetration [16]. On the other hand, carbon black acts as a strain amplifier when a macroscopic strain is applied to the elastomers [17]: the higher the carbon black content, the higher the strain amplification. The strain amplifying concept considers carbon black as a rigid particle that does not participate in the deformation when a strain is applied to the elastomer. The soft rubbery matrix is assumed to behave exactly the same as the pure vulcanizate without the carbon black [18]. As a result, the local strain in the elastomer is greater than the macroscopic applied strain due to the amplified strain effect. This, in turn, will generate more negative hydrostatic stress, which facilitates solvent penetration.

As for the corrected volume changes presented on the right-hand side of Figure 6, a similar trend as stress-free immersion is observed here, where the difference between each carbon black content reduces, and this phenomenon is more obvious at higher strain levels. In fact, a special case is observed at $\lambda = 1.5$, where the volume change for rubber specimen with 66 phr of carbon black overtakes the one with 33 phr of carbon black. This observation, which is caused by the strain amplification effect as explained earlier, serves as an important factor in formulating the rubber compounds. While filler is known to restrict swelling, the combination of filler amount and tensile strain needs to be taken into consideration in order to obtain a rubber component that is susceptible to solvent and simultaneously subjected to tensile strain.

3.3. Constrained Swelling 2: Swelling in the Presence of Static Multiaxial Strain

In this section, the effect of static multiaxial strain on the swelling characteristics of elastomers is explored. For this purpose, only elastomers with 33 phr of carbon black are considered. Three different twist angles are imposed: 0° , 10° and 20° . The details of the applied mechanical deformations are summarized in Table 1, and the resulting volume change is shown in Figure 7.

Table 1. Mechanical loading conditions.

Specimen	Twist Angle (°)	Resulting Twist per Unit Length, τ (rad/mm)	Shear Strain	
			Inner Radius	Outer Radius
SOT0	0	0	0	0
SOT10	10	0.01746	0.66348	0.75078
SOT20	20	0.03491	1.32658	1.50113

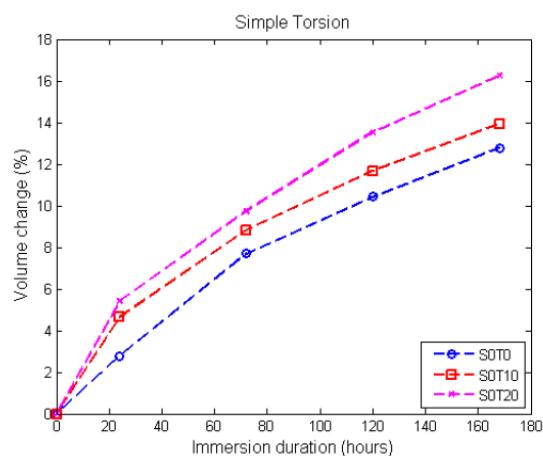


Figure 7. Volume change for different twisting angles.

As shown in Figure 7, the introduction of torsional strain yields a higher volume change compared to the initially stress-free specimen. The volume change also increases with the increasing in immersion duration. At the end of immersion (170 h), the percentages of volume change are approximately 13%, 14% and 16.3% for twist angles of 0° (initially stress-free), 10° and 20°, respectively. However, much to our disappointment, the percentage of volume change at equilibrium swelling could not be obtained with this design, since the specimen breaks after 170 h of immersion.

3.4. Hydrostatic Part of Cauchy Stress as a Predictor

According to [8], the amount of swelling in a material is governed by the hydrostatic part of Cauchy stress generated as a result of the applied mechanical loading. By utilizing this theory, the hydrostatic part of Cauchy stress for different mechanical loadings is calculated and used as a predictor for swelling.

First, consider the simple case of uniaxial load. In order to probe for the viscoelastic response of the materials, a set of relaxation tests is conducted on dumbbell specimens at two different stretches. The results are presented in Figure 8. In this figure, it is clearly shown that the stress relaxation (viscoelasticity) becomes significant as the filler content increases. In this case, the calculation of the hydrostatic stress will be based on the relaxed state of stress.

Link to Full-Text Articles :

<http://www.mdpi.com/1996-1944/8/3/884/pdf>